

SPLICE/VALVE BOX

PC1730DP

Applications:

Sidewalk, driveway and parking lot areas for telephony, power, CATV, DOT, water utility and other applications. Turf and irrigation for residential, commercial, golf courses and parks and recreation.

Features & Benefits:

- ◆ Heavy duty construction increases product life cycle.
- ◆ Replaces concrete - high strength for durability and lightweight for quick and easy installation.
- ◆ Unique stackable wall design allows for grade adjustment after installation.
- ◆ Non-metallic, non-conductive materials eliminate grounding requirements.
- ◆ Excellent resistance from sunlight, fertilizers and other chemicals.
- ◆ Larger "clear" opening maximizes work area, perfect for large valve applications.
- ◆ Interlock for concrete sidewalk retention and/or lift handle prevents tilting or frost heaving.

Options:

- ◆ EMS marker for quick and easy identification.
- ◆ OEM labeling (cast-in identification).
- ◆ Gaskets, cable racks, strut inserts, and terminators.
- ◆ Customizing services - knockouts, bolt and conduit holes.

Ordering Information:

Specify part numbers listed in the table below. Special colors available. Consult factory for more information.

Pallet Quantity: 6

| Part No. | Description | Material | Weight |
|--------------|----------------------------|----------|-----------|
| PCB173012A04 | Box, 12", w/ no floor | PC | 70 (32) |
| PCB173012A14 | Box, 12", w/ floor | PC | 80 (36) |
| PCB173012A24 | Box, 12", w/ mouseholes | PC | 69 (31) |
| PCB173015A04 | Box, 15", w/ no floor | PC | 82 (37) |
| PCB173015A14 | Box, 15", w/ floor | PC | 93 (42) |
| PCB173015A24 | Box, 15", w/ mouseholes | PC | 81 (37) |
| PCB173018A04 | Box, 18", w/ no floor | PC | 92 (42) |
| PCB173018A14 | Box, 18", w/ floor | PC | 104 (47) |
| PCB173018A24 | Box, 18", w/ mouseholes | PC | 91 (41) |
| PCB173022A04 | Box, 22", w/ no floor | PC | 102 (46) |
| PCB173022A14 | Box, 22", w/ floor | PC | 115 (52) |
| PCB173022A24 | Box, 22", w/ mouseholes | PC | 101 (46) |
| PCE173008A04 | Extension, 8", w/ no floor | PC | 58 (26) |
| PCE173008A14 | Extension, 8", w/ floor | PC | 67 (30) |
| CMC173000A04 | Cover, 2 bolt - 20K | PC | 50 (23) |
| STC173000A02 | Cover, 2 bolt - 10K | Steel* | 27 (12.3) |
| STC173000A04 | Cover, 2 bolt - 20K | Steel* | 27 (12.3) |

Stackable designs available.

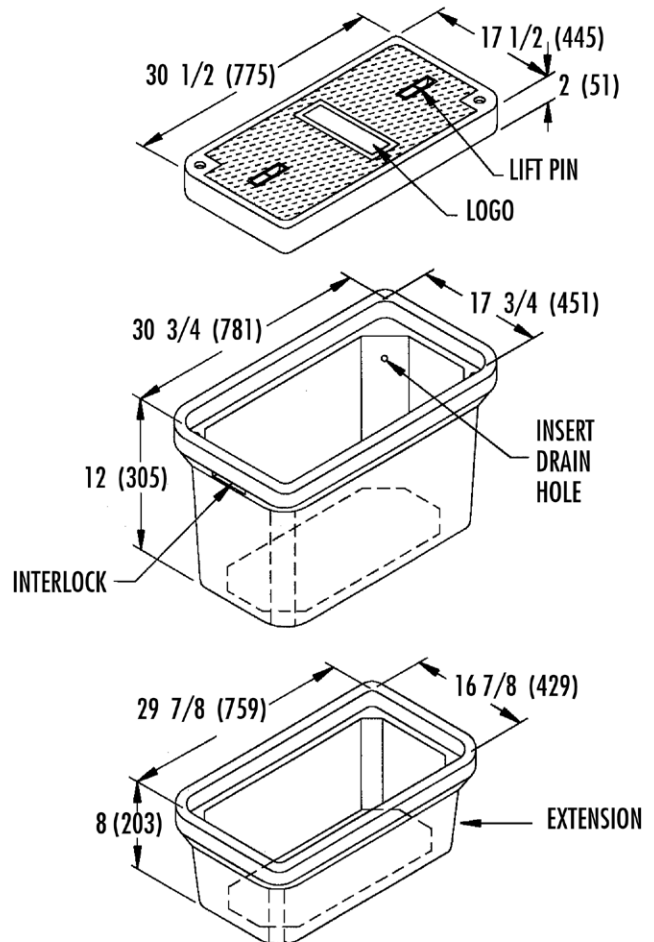
*See STEEL COVER OPTIONS (page 45).

Sidewalk Application **SW**

Driveway/Parking Lot Application **DP**

Load: Static, 20,000 lbs

Stainless steel hex head bolts are standard on bolt down covers. Boltless covers are also available. Consult factory.



Bottom Clear Dimension:

- 12" Depth: 27 3/4 (705) x 14 3/4 (375)
- 15" Depth: 27 7/16 (697) x 14 7/16 (381)
- 18" Depth: 27 1/2 (699) x 14 1/2 (457)
- 22" Depth: 26 3/4 (680) x 13 3/4 (350)
- 8" Ext.: 26 15/16 (684) x 13 15/16 (354)

Dimensions: Inches (mm)

Weight: lbs (kg)