

SPLICE/VALVE BOX

FC1324WUC

Applications:

Sidewalk, driveway and parking lot areas for telephony, power, CATV, DOT, water utility and other applications.

Features & Benefits:

- ◆ Lightweight and high-strength FRP and Polymer Concrete provide long life and quick and easy installation.
- ◆ Full line of configurations are available from stock to meet your load and depth requirements.
- ◆ Non-metallic, non-conductive materials eliminate grounding requirements.
- ◆ Sunlight resistant for long life over a wide range of temperature extremes.
- ◆ Excellent resistance to fertilizers and other chemicals.
- ◆ Larger "clear" opening maximizes work area, perfect for large valve applications.
- ◆ Interlock for concrete sidewalk retention and/or lift handle prevents tilting or frost heaving.

Options:

- ◆ EMS marker for quick and easy identification.
- ◆ OEM labeling (cast-in identification).
- ◆ Gaskets, cable racks, strut inserts, and terminators.
- ◆ Customizing services - knockouts, bolt and conduit holes.

Ordering Information:

Specify part numbers listed in the table below. Special configurations available. Consult factory for more information.

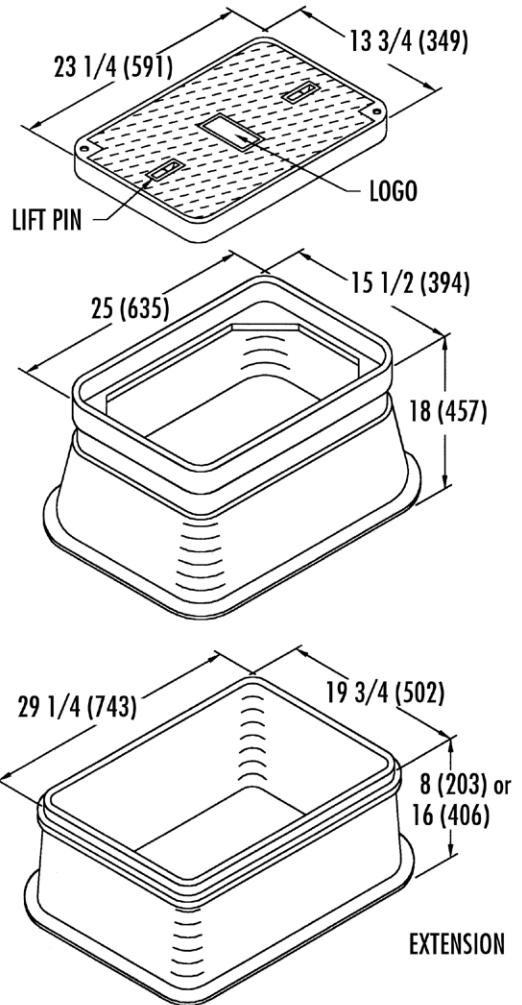
Pallet Quantity: 16

Part No.	Description	Material	Weight
FCB132418C02	Box, 18", Tapered - 10K	FRP	48 (22)
FCB132418C22	Box, 18", Tapered, w/ mouseholes - 10K	FRP	47 (21)
FCE132408C02	Extension, 8"	FRP	30 (14)
FCE132416C02	Extension, 16"	FRP	39 (18)
CMC132400A02	Cover, 2 bolt - CM - 10K	CM	28 (13)
CMC132400A04	Cover, 2 bolt - CM - 20K	CM	31 (14)
STC132400A04	Cover, 2 bolt - 20K	Steel*	50 (23)

* See STEEL COVER OPTIONS (page 45).

Sidewalk Application **SW**
 Driveway/Parking Lot Application **DP**
 Load: See table below

Stainless steel hex head bolts are standard on bolt down covers. Boltless covers are also available. Consult factory.



Dimensions: Inches (mm)
 Weight: lbs (kg)