

Applications:

Driveway and parking lot areas for telephony, power, CATV, DOT and other applications.

Features & Benefits:

- ◆ Proven track record of safeguarding fiber-optic cable from the most common installation mishaps.
- ◆ **FiberProTek™** is round, *not square!* Cable naturally coils for easy installation, storage, and maintenance without kinking.
- ◆ Round lid can't fall through opening; prevents damage to cable and equipment.
- ◆ Break-away internal brackets reduce damage caused by back-hoe excavation mishaps (pull-ups and yank-outs).
- ◆ Lightweight and high-strength FRP and Polymer Concrete provide long life and quick and easy installation.
- ◆ Full line of configurations are available from stock to meet your load and depth requirements.
- ◆ Non-metallic, non-conductive materials eliminate grounding requirements.
- ◆ Interlock for concrete sidewalk retention and/or lift handle prevents tilting or frost heaving.

Options:

- ◆ EMS marker for quick and easy identification.
- ◆ OEM labeling (cast-in identification).
- ◆ Cable racks, strut inserts, and terminators.
- ◆ Customizing services - knockouts, bolt and conduit holes.

Ordering Information:

Specify part numbers listed in the table below. Special configurations available. Consult factory for more information.

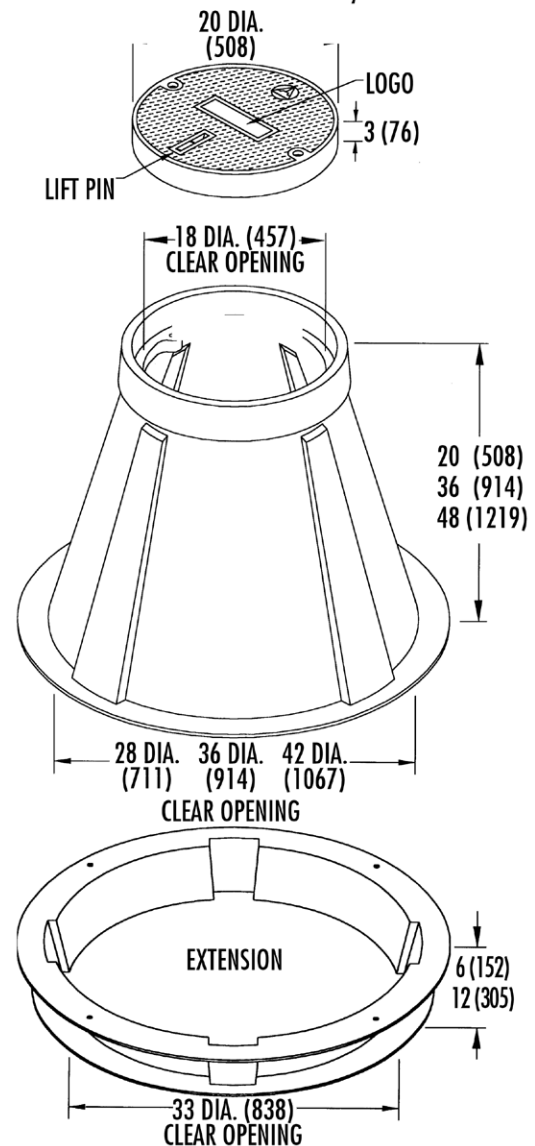
Pallet Quantity: 4

Part No.	Description	Material	Weight
FCV18002004	Vault, 20", Tapered - 20K	FRP body/PC ring	60 (27)
FCV18003604	Vault, 36", Tapered - 20K	FRP body/PC ring	135 (61)
FPE18000604	6" Extension for 36" Vault	FRP body/PC ring	20 (9)
FPE18001204	12" Extension for 36" Vault	FRP body/PC ring	35 (16)
FCV18004804	Vault, 48", Tapered - 20K	FRP body/PC ring	210 (95)
PCC18000A04	Cover, 2 Bolt - Round - 20K	PC	60 (27)

Driveway/Parking Lot Application DP

Load: Static, 20,000 lbs

Stainless steel hex head bolts are standard on bolt down covers. Boltless covers are also available. Consult factory.



Dimensions: Inches (mm)
Weight: lbs (kg)