

# SPLICE/VALVE BOX

## FC2436

### Applications:

Sidewalk, driveway and parking lot areas for telephony, power, CATV, DOT, water utility and other applications.

### Features & Benefits:

- ◆ Lightweight and high-strength FRP and Polymer Concrete provide long life and quick and easy installation.
- ◆ Full line of configurations are available from stock to meet your load and depth requirements.
- ◆ Non-metallic, non-conductive materials eliminate grounding requirements.
- ◆ Sunlight resistant for long life over a wide range of temperature extremes.
- ◆ Excellent resistance to fertilizers and other chemicals.
- ◆ Larger "clear" opening maximizes work area, perfect for large valve applications.
- ◆ Interlock for concrete sidewalk retention and/or lift handle prevents tilting or frost heaving.

### Options:

- ◆ EMS marker for quick and easy identification.
- ◆ OEM labeling (cast-in identification).
- ◆ Gaskets, cable racks, strut inserts, and terminators.
- ◆ Customizing services - knockouts, bolt and conduit holes.

### Ordering Information:

Specify part numbers listed in the table below. Special configurations available. Consult factory for more information.

**Pallet Quantity:** 18" through 36" depth: 5  
48" depth: 4

Part No.	Description	Material	Weight
FCB243618F04	Box, 18", Straight Stackable - 20K *	FRP	115 (52)
FCB243622B02	Box, 22", Tapered - 10K*	FRP	84 (38)
FCB243624F04	Box, 24", Straight Stackable - 20K *	FRP	123 (56)
FCB243624C02	Box, 24", Tapered - 10K*	FRP	123 (56)
FCB243626E04	Box, 26", Tapered - 20K	FRP	155 (70)
FCB243630C02	Box, 30", Tapered - 10K*	FRP	133 (60)
FCB243636E04	Box, 36", Tapered - 20K	FRP	160 (73)
FCB243648E04	Box, 48", Tapered - 20K	FRP	190 (86)
PCC243600A02	Cover, 2 bolt - 10K	PC	72 (33)
PCC243600A04	Cover, 2 bolt - 20K	PC	72 (33)
STC243600A02	Cover, 2 bolt - 10K	Steel**	74 (34)
STC243600A04	Cover, 2 bolt - 20K	Steel**	130 (59)

\* not shown

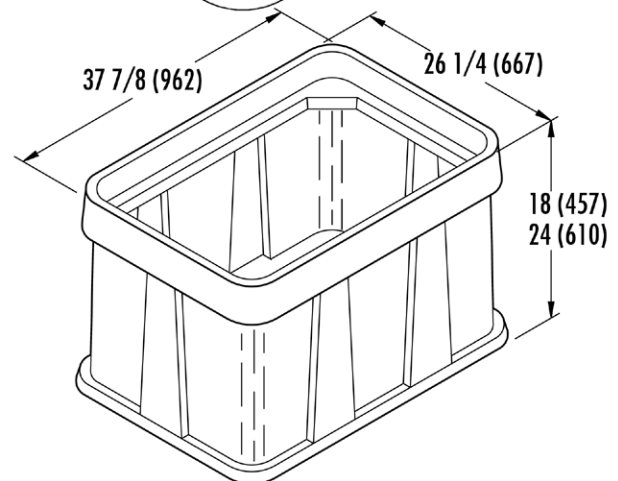
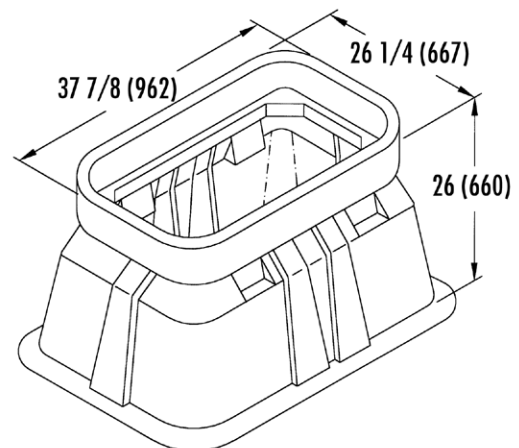
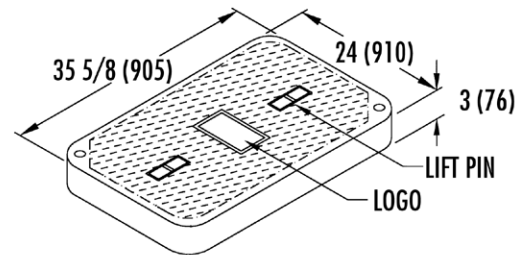
\*\* See STEEL COVER OPTIONS (page 45).

Sidewalk Application **SW**

Driveway/Parking Lot Application **DP**

Load: See table below

Stainless steel hex head bolts are standard on bolt down covers. Boltless covers are also available. Consult factory.



Dimensions: Inches (mm)  
Weight: lbs (kg)