

SPLICE/VALVE VAULT FC3048

Applications:

Sidewalk, driveway and parking lot areas for telephony, power, CATV, DOT, water utility and other applications.

Features & Benefits:

- ◆ Lightweight and high-strength FRP and Polymer Concrete provide long life and quick and easy installation.
- ◆ Full line of configurations are available from stock to meet your load and depth requirements.
- ◆ Non-metallic, non-conductive materials eliminate grounding requirements.
- ◆ Sunlight resistant for long life over a wide range of temperature extremes.
- ◆ Excellent resistance to fertilizers and other chemicals.
- ◆ Larger "clear" opening maximizes work area, perfect for large valve applications.
- ◆ Interlock for concrete sidewalk retention and/or lift handle prevents tilting or frost heaving.

Options:

- ◆ EMS marker for quick and easy identification.
- ◆ OEM labeling (cast-in identification).
- ◆ Gaskets, cable racks, strut inserts, and terminators.
- ◆ Customizing services - knockouts, bolt and conduit holes.

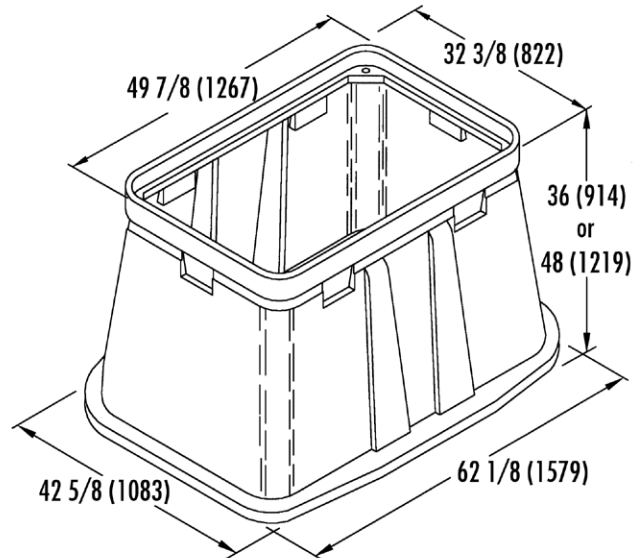
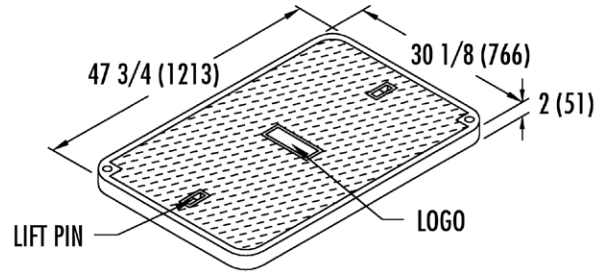
Ordering Information:

Specify part numbers listed in the table below. Special configurations available. Consult factory for more information.

Pallet Quantity: 36" depth: 4
48" depth: 3

Sidewalk Application **SW**
Driveway/Parking Lot Application **DP**
Load: See table below

Stainless steel hex head bolts are standard on bolt down covers. Boltless covers are also available. Consult factory.



Dimensions: Inches (mm)
Weight: lbs (kg)

| Part No. | Description | Material | Weight |
|--------------|----------------------------|----------|-----------|
| FCB304818A02 | Box, 18", Straight - 10K * | FRP | 100 (45) |
| FCB304818A05 | Box, 18", Straight - 25K * | FRP | 100 (45) |
| FCB304824F04 | Box, 24", Straight - 10K * | FRP | 145 (66) |
| FCB304836E04 | Box, 36", Tapered - 20K | FRP | 178 (81) |
| FCB304848E04 | Box, 48", Tapered - 20K | FRP | 193 (88) |
| PCC304800A02 | Cover, 1 pc. - 10K | PC | 130 (59) |
| PCC304800A12 | Cover, 2 pc. set - 10K | PC | 230 (105) |
| PCC304800A04 | Cover, 1 pc. - 20K | PC | 185 (84) |
| PCC304800A14 | Cover, 2 pc. set - 20K | PC | 260 (118) |
| STC304800A04 | Cover, 1 pc. - 20K | Steel** | 175 (80) |

* not shown

** See STEEL COVER OPTIONS (page 45).