

# SPLICE/VALVE VAULT FC3660

## Applications:

Sidewalk, driveway and parking lot areas for telephony, power, CATV, DOT, water utility and other applications.

## Features & Benefits:

- ◆ Lightweight and high-strength FRP and Polymer Concrete provide long life and quick and easy installation.
- ◆ Full line of configurations are available from stock to meet your load and depth requirements.
- ◆ Non-metallic, non-conductive materials eliminate grounding requirements.
- ◆ Sunlight resistant for long life over a wide range of temperature extremes.
- ◆ Excellent resistance to fertilizers and other chemicals.
- ◆ Larger "clear" opening maximizes work area, perfect for large valve applications.
- ◆ Interlock for concrete sidewalk retention and/or lift handle prevents tilting or frost heaving.

## Options:

- ◆ EMS marker for quick and easy identification.
- ◆ OEM labeling (cast-in identification).
- ◆ Gaskets, cable racks, strut inserts, and terminators.
- ◆ Customizing services - knockouts, bolt and conduit holes.

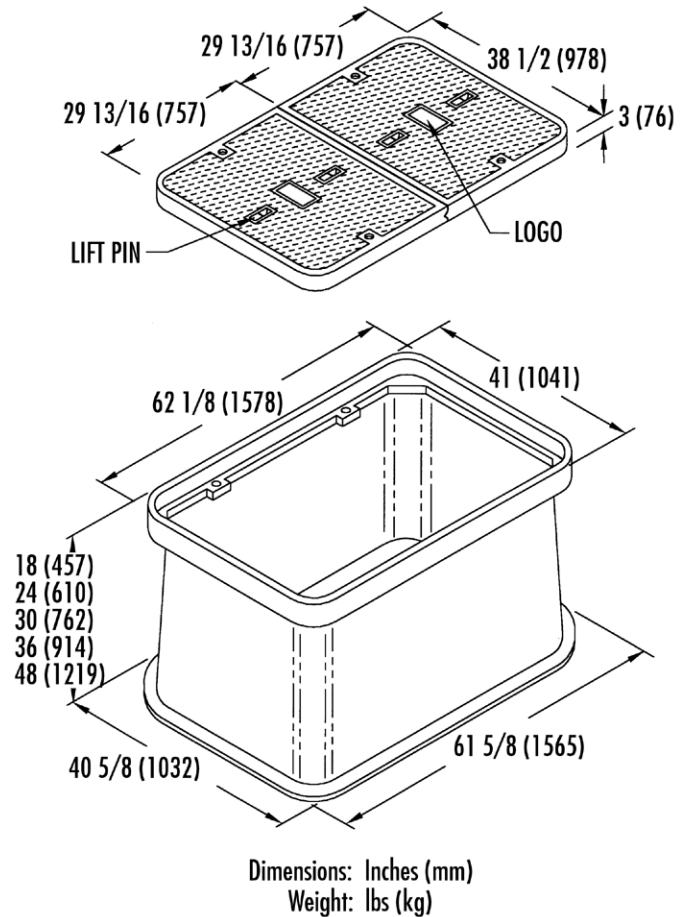
## Ordering Information:

Specify part numbers listed in the table below. Special configurations available. Consult factory for more information.

<b>Pallet Quantity:</b>	18" depth: 4
	24" depth: 4
	30" depth: 3
	36" depth: 2
	48" depth: 1

Sidewalk Application **SW**  
Driveway/Parking Lot Application **DP**  
Load: See table below

Stainless steel hex head bolts are standard on bolt down covers. Boltless covers are also available. Consult factory.



Part No.	Description	Material	Weight
FCB366018A04	Box, 18", Straight - 20K	FRP	228 (104)
FCB366024A04	Box, 24", Straight - 20K	FRP	316 (144)
FCB366030A04	Box, 30", Straight - 20K	FRP	369 (168)
FCB366036A04	Box, 36", Straight - 20K	FRP	404 (184)
FCB366048A04	Box, 48", Straight - 20K	FRP	458 (208)
PCC366000B04	Cover, 1 pc. - 20K	PC	200 ( 91)
PCC366000B14	Cover, 2 pc. set - 20K	PC	260 (118)
PCC366000F54	Cover, 2 pc. set - 20K*	PC	200 ( 91)
STF3660F14	Steel Torsion Frame Only	Steel**	315 (143)

\* for Steel Torsion Frame