

SPLICE/VALVE VAULT FC3672

Applications:

Sidewalk, driveway and parking lot areas for telephony, power, CATV, DOT, water utility and other applications.

Features & Benefits:

- ◆ Lightweight and high-strength FRP and Polymer Concrete provide long life and quick and easy installation.
- ◆ Full line of configurations are available from stock to meet your load and depth requirements.
- ◆ Non-metallic, non-conductive materials eliminate grounding requirements.
- ◆ Sunlight resistant for long life over a wide range of temperature extremes.
- ◆ Excellent resistance to fertilizers and other chemicals.
- ◆ Larger "clear" opening maximizes work area, perfect for large valve applications.
- ◆ Interlock for concrete sidewalk retention and/or lift handle prevents tilting or frost heaving.

Options:

- ◆ EMS marker for quick and easy identification.
- ◆ OEM labeling (cast-in identification).
- ◆ Gaskets, cable racks, strut inserts, and terminators.
- ◆ Customizing services - knockouts, bolt and conduit holes.

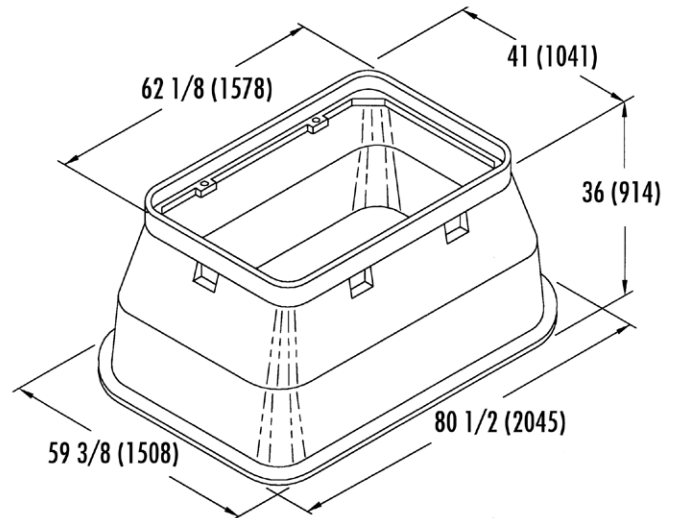
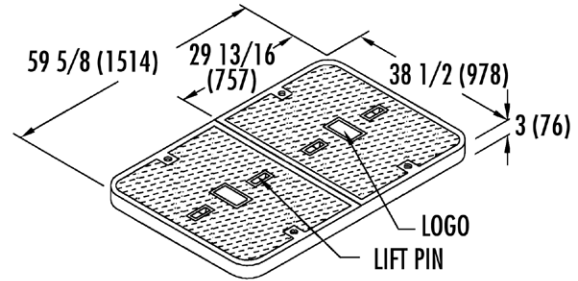
Ordering Information:

Specify part numbers listed in the table below. Special configurations available. Consult factory for more information.

Pallet Quantity: 3

Sidewalk Application **SW**
Driveway/Parking Lot Application **DP**
Load: See table below

Stainless steel hex head bolts are standard on bolt down covers. Boltless covers are also available. Consult factory.



Dimensions: Inches (mm)
Weight: lbs (kg)

Part No.	Description	Material	Weight
FCB367236C04	Box, 36", Tapered - 20K	FRP	250 (114)
PCC366000B02	Cover, 1 pc. - 20K	PC	185 (84)
PCC366000B04	Cover, 1 pc. - 20K	PC	200 (91)
PCC366000B14	Cover, 2 pc. set - 20K	PC	260 (118)