

SPLICE/VALVE VAULT FC4882

Applications:

Sidewalk, driveway and parking lot areas for telephony, power, CATV, DOT and other applications.

Features & Benefits:

- ◆ Break-away internal brackets reduce damage caused by back-hoe excavation mishaps (pull-ups and yank-outs).
- ◆ Lightweight and high-strength FRP provides long life and quick and easy installation.
- ◆ Full line of configurations are available from stock to meet your load and depth requirements.
- ◆ Non-metallic, non-conductive materials eliminate grounding requirements.
- ◆ Sunlight resistant for long life over a wide range of temperature extremes.
- ◆ Excellent resistance to fertilizers and other chemicals.
- ◆ Larger "clear" opening maximizes work area, perfect for large valve applications.
- ◆ Interlock for concrete sidewalk retention and/or lift handle prevents tilting or frost heaving.

Options:

- ◆ EMS marker for quick and easy identification.
- ◆ OEM labeling (cast-in identification).
- ◆ Cable racks, strut Inserts, and terminators.
- ◆ Customizing services - knockouts, bolt and conduit holes.

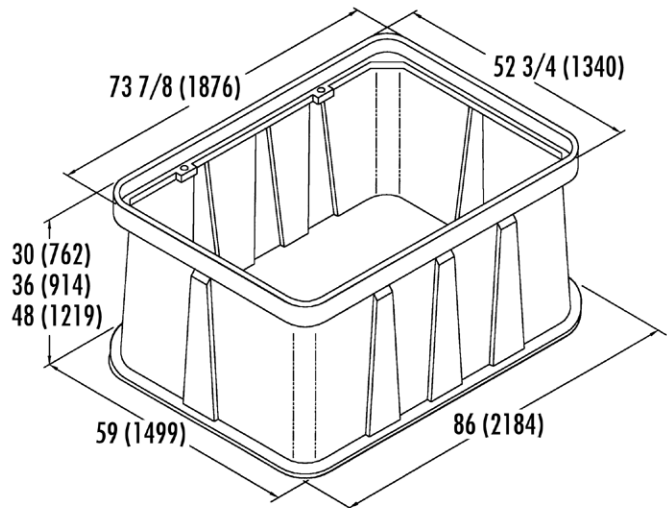
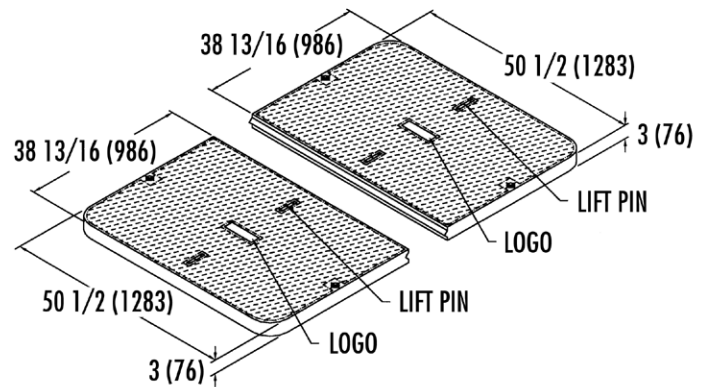
Ordering Information:

Specify part numbers listed in the table below. Special configurations available. Consult factory for more information.

Pallet Quantity: 1

Sidewalk Application **SW**
Driveway/Parking Lot Application **DP**
Load: See table below

Stainless steel hex head bolts are standard on bolt down covers. Boltless covers are also available. Consult factory.



Dimensions: Inches (mm)
Weight: lbs (kg)

Part No.	Description	Material	Weight
FCB488230F04	Box, 30", Tapered - 20K	FRP	295 (134)
FCB488236F04	Box, 36", Tapered - 20K	FRP	320 (145)
FCB488248F04	Box, 48", Tapered - 20K	FRP	553 (251)
PCC488200B14	Cover, 2 pc. set - 20K	PC	212 (96)