

Roadway Application **R**
Load: See table below

Applications:

Roadway areas for telephony, power, CATV, DOT and other applications.

Features & Benefits:

- ◆ Proven track record of safeguarding fiber-optic cable from the most common installation mishaps.
- ◆ FiberProTek™ is round, **not square!** Cable naturally coils for easy installation, storage, and maintenance without kinking.
- ◆ Round lid can't fall through opening, prevents damage to cable and equipment.
- ◆ Break-away internal brackets reduce damage caused by back-hoe excavation mishaps (pull-ups and yank-outs).
- ◆ Lightweight and high-strength FRP and Polymer Concrete provide long life and quick and easy installation.
- ◆ Full line of configurations are available from stock to meet your load and depth requirements.
- ◆ Sunlight resistant for long life over a wide range of temperature extremes.
- ◆ Excellent resistance to fertilizers and other chemicals.
- ◆ Interlock for concrete sidewalk retention and/or lift handle prevents tilting or frost heaving.

Options:

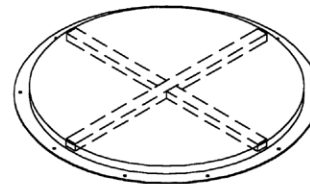
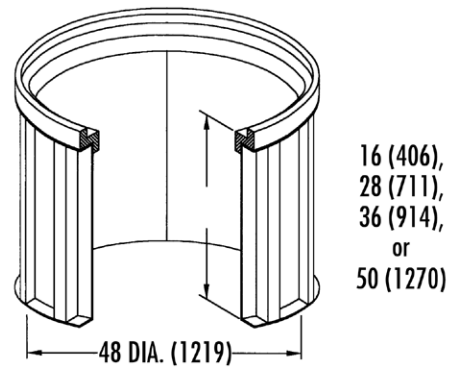
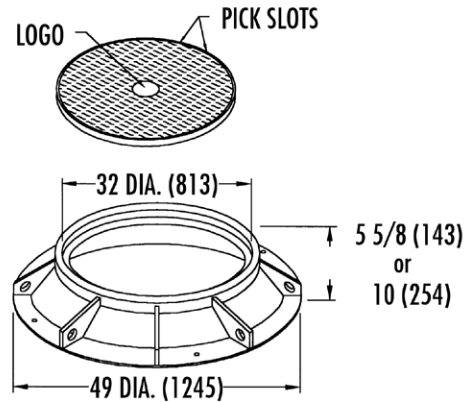
- ◆ EMS marker for quick and easy identification.
- ◆ OEM labeling (cast-in identification).
- ◆ Cable racks, strut inserts, and terminators.
- ◆ Customizing services - knockouts, bolt and conduit holes.
- ◆ Fiber-optic splice tray.

Ordering Information:

Specify part numbers listed in the table below. Special configurations available. Consult factory for more information.

Pallet Quantity: 1

Stainless steel hex head bolts are standard on bolt down covers. Boltless covers are also available. Consult factory.



Dimensions: Inches (mm)
Weight: lbs (kg)

Part No.	Description	Material	Weight
CCC540600E17	Cover & 6" Ring - H20/44	Cast Iron	532 (242)
CCC541000E17	Cover & 10" Ring - H20/44	Cast Iron	638 (290)
FCR54001607	Vault 16" 2pc. - 45K	FRP body/PC ring	250 (114)
FCR54002807	Vault 28" 2pc. - 45K	FRP body/PC ring	280 (127)
FCR54003607	Vault 36" 2pc. - 45K	FRP body/PC ring	310 (141)
FCR54005007	Vault 50" 2pc. - 45K	FRP body/PC ring	350 (159)
FPF540048A	Floor	FRP	60 (27)