

# SPLICE/VALVE BOX

## PC1324DP

### Applications:

Sidewalk, driveway and parking lot areas for telephony, power, CATV, DOT, water utility and other applications. Turf and irrigation for residential, commercial, golf courses and parks and recreation.

### Features & Benefits:

- ◆ Heavy-duty construction increases product life cycle.
- ◆ Replaces concrete - high strength for durability and lightweight for quick and easy installation.
- ◆ Unique stackable wall design allows for grade adjustment after installation.
- ◆ Non-metallic, non-conductive materials eliminate grounding requirements.
- ◆ Excellent resistance from sunlight, fertilizers and other chemicals.
- ◆ Larger "clear" opening maximizes work area, perfect for large valve applications.
- ◆ Interlock for concrete sidewalk retention and/or lift handle prevents tilting or frost heaving.

### Options:

- ◆ EMS marker for quick and easy identification.
- ◆ OEM labeling (cast-in identification).
- ◆ Gaskets, cable racks, strut inserts, and terminators.
- ◆ Customizing services - knockouts, bolt and conduit holes.

### Ordering Information:

Specify part numbers listed in the table below. Special colors available. Consult factory for more information.

### Pallet Quantity: 15

Part No.	Description	Material	Weight
PCB132412A04	Box, 12", w/ no floor	PC	53 (24)
PCB132412A14	Box, 12", w/ floor	PC	63 (29)
PCB132412A24	Box, 12", w/ mouseholes	PC	52 (24)
PCB132415A04	Box, 15", w/ no floor	PC	66 (30)
PCB132415A14	Box, 15", w/ floor	PC	75 (34)
PCB132415A24	Box, 15", w/ mouseholes	PC	65 (30)
PCB132418A04	Box, 18", w/ no floor	PC	77 (35)
PCB132418A14	Box, 18", w/ floor	PC	87 (40)
PCB132418A24	Box, 18", w/ mouseholes	PC	76 (35)
PCE132408A04	Extension, 8", w/ no floor	PC	40 (18)
PCE132408A14	Extension, 8", w/ floor	PC	51 (23)
CMC132400A04	Cover, 2 bolt - 20K	PC	26 (12)
STC132400A02	Cover, 2 bolt - 10K	Steel*	17 (7.7)
STC132400A04	Cover, 2 bolt - 20K	Steel*	17 (7.7)

Stackable designs available.

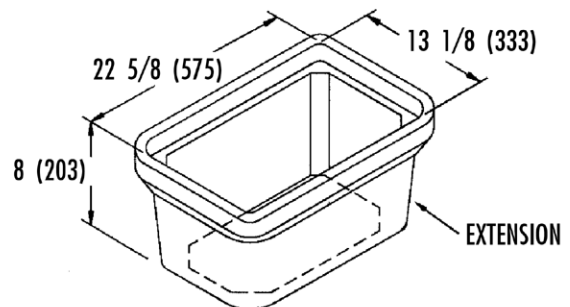
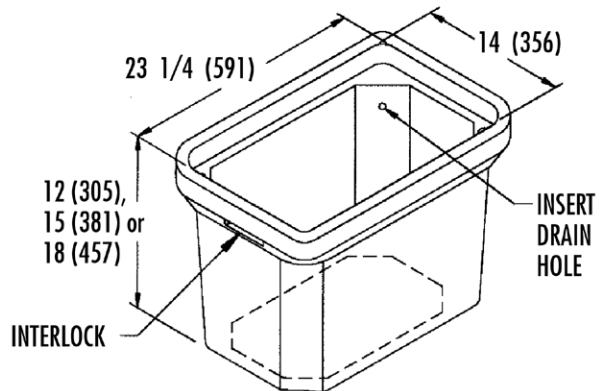
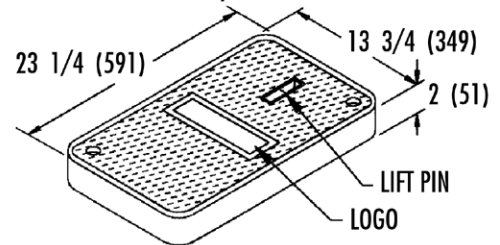
\*See STEEL COVER OPTIONS (page 45).

Sidewalk Application **SW**

Driveway/Parking Lot Application **DP**

Load: Static, 20,000 lbs

Stainless steel hex head bolts are standard on bolt down covers. Boltless covers are also available. Consult factory.



Bottom Clear Dimension:

12" Depth: 21 1/4 (540) x 11 3/4 (298)

15" Depth: 20 15/16 (532) x 11 3/8 (289)

18" Depth: 19 3/4 (502) x 10 1/4 (260)

8" Ext.: 19 3/4 (502) x 10 1/4 (260)

Dimensions: Inches (mm)

Weight: lbs (kg)