

SPLICE/VALVE BOX

PC1425DP

Applications:

Sidewalk, driveway and parking lot areas for telephony, power, CATV, DOT, water utility and other applications. Turf and irrigation for residential, commercial, golf courses and parks and recreation.

Features & Benefits:

- ◆ Heavy-duty construction increases product life cycle.
- ◆ Replaces concrete - high strength for durability and lightweight for quick and easy installation.
- ◆ Unique stackable wall design allows for grade adjustment after installation.
- ◆ Non-metallic, non-conductive materials eliminate grounding requirements.
- ◆ Excellent resistance from sunlight, fertilizers and other chemicals.
- ◆ Larger "clear" opening maximizes work area, perfect for large valve applications.
- ◆ Interlock for concrete sidewalk retention and/or lift handle prevents tilting or frost heaving.

Options:

- ◆ EMS marker for quick and easy identification.
- ◆ OEM labeling (cast-in identification).
- ◆ Gaskets, cable racks, strut inserts, and terminators.
- ◆ Customizing services - knockouts, bolt and conduit holes.

Ordering Information:

Specify part numbers listed in the table below. Special colors available. Consult factory for more information.

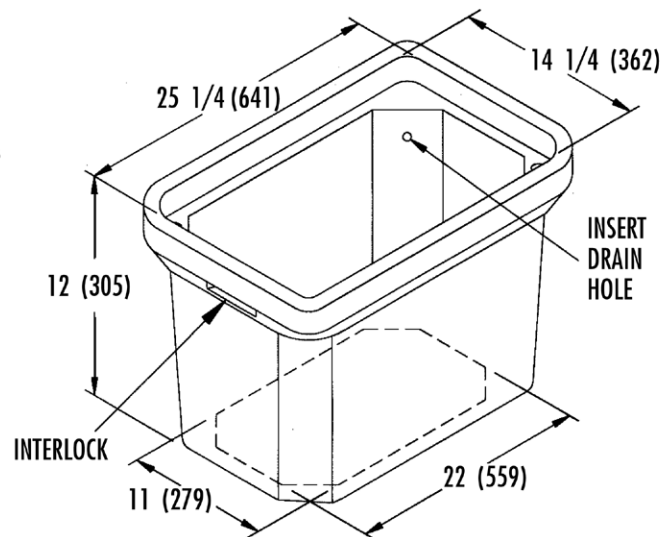
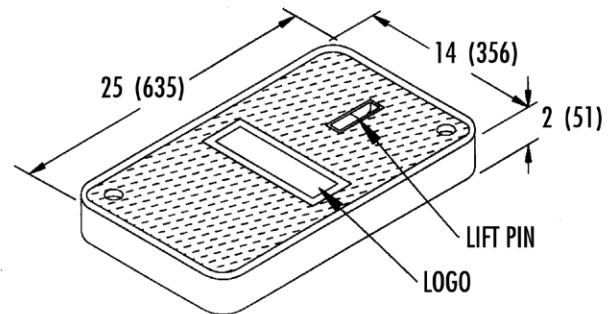
Pallet Quantity: 15

Sidewalk Application **SW**

Driveway/Parking Lot Application **DP**

Load: Static, 20,000 lbs

Stainless steel hex head bolts are standard on bolt down covers. Boltless covers are also available. Consult factory.



Dimensions: Inches (mm)
Weight: lbs (kg)

Part No.	Description	Material	Weight
PCB142512A04	Box, 12", w/ no floor	PC	47 (21)
PCB142512A14	Box, 12", w/ floor	PC	62 (28)
PCB142512AN4	Box, 12", w/ floor & gasket	PC	62 (28)
PCB142512A24	Box, 12", w/ mouseholes	PC	46 (21)
PCC142500A04	Cover, 2 bolt - 20K	PC	38 (17)
PCC142500B04	Cover, 4 bolt - 20K	PC	38 (17)